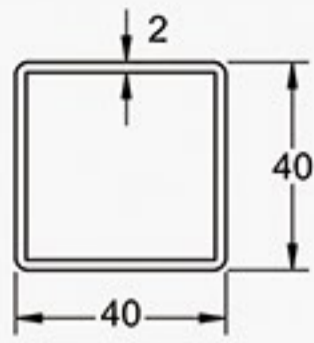
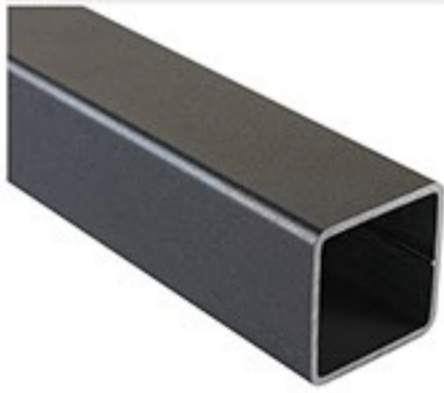




S Series
SQUARE PIPE

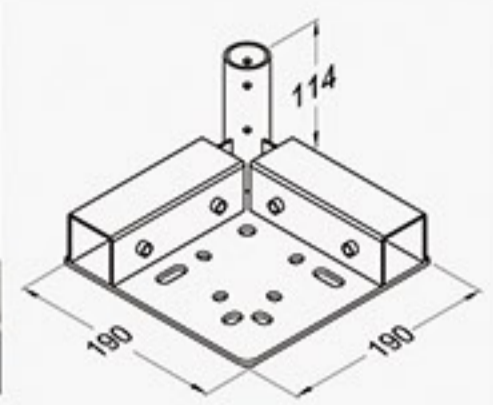
40 Square Pipe

S-1



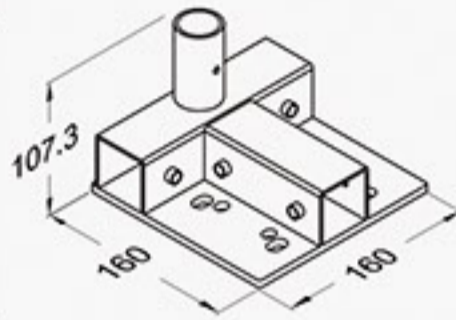
kg/m	2.389
m/Pc	2.44
m/Bdl	9.76

SJ-1



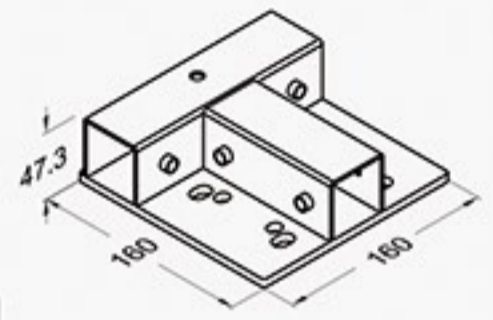
kg/Set	1.92
Sets/Ctn	2

SJ-2



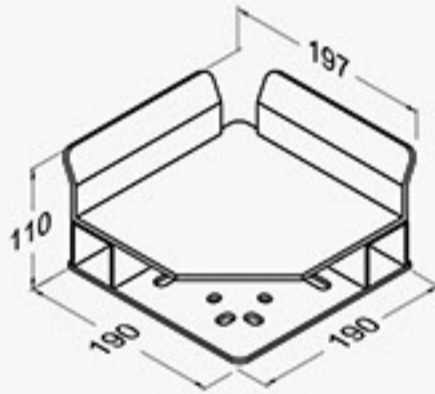
kg/Set	1.50
Sets/Ctn	2

SJ-3



kg/set	1.35
Sets/Ctn	2

SJ-4



kg/Set	3.64
Sets/Ctn	2